

FLOS

ROMEO BABE S

Mounting	Pendant
Type of ceiling pendant	Suspension cable
Lamps description	1 x MAX 33W G9 HSGS or 1 LED 2,3W G9 200lm 3000K
Environment	Indoor
Finish	Glass
Technical description	Suspension lamp providing diffused light. Acid-etched pressed borosilicate glass internal diffuser. Pressed clear glass shade. Gray painted die-cast aluminum diffuser support.

ELECTRICAL

Emergency	Without
Voltage (V)	230

PHYSICAL

Supply	Terminal block
Cord length (mm)	2800
Construction material	Glass
Weight (kg)	0.4



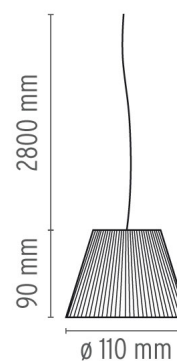
Romeo Babe S

designed by Philippe Starck

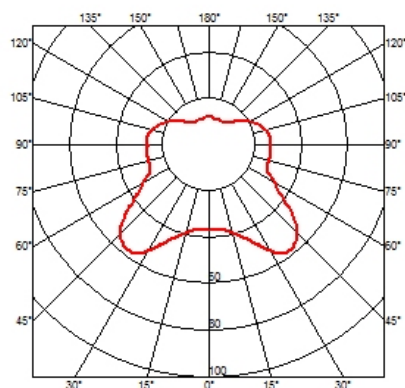
Suspension lamp providing diffused light

F6124000 Glass

DIMENSIONS



CERTIFICATIONS



Romeo Babe S . Lamps



HSGS 33W G9

Lamp wattage:
33 W

Lamp category:
Halogen mains

Socket:
G9

Lamp type:
HSGS

LED 2,3W G9 200lm 3000K

Lamp wattage:
2,3 W

Lamp category:
LED

Socket:
G9

Color temperature (K):
3000 °K

Lamp type:
LED



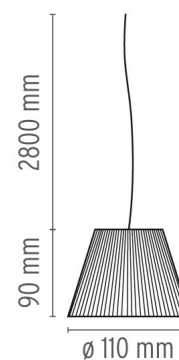
Romeo Babe S

designed by Philippe Starck

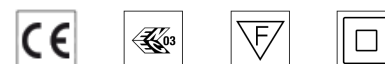
Suspension lamp providing diffused light

F6124000 Glass

DIMENSIONS



CERTIFICATIONS



IP
20

